



ACCUSHOOT
LFX

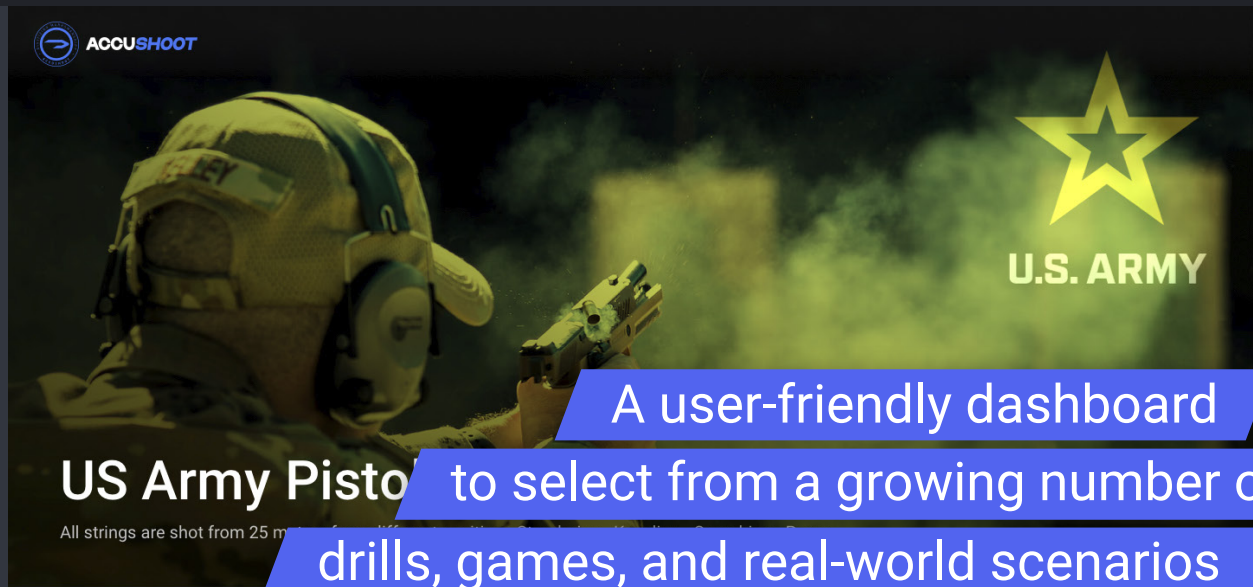
The Future of Shooting is Here

Bringing Dynamic
Targeting Capabilities to
Your Range

PATENT PENDING

Marksmanship training has not changed much in the last 100 years despite rapid technological advances. Paper, cardboard, or steel targets with little to no movement still dominate the traditional training sessions. Unfortunately, real-world shooting encounters are highly dynamic in nature

with a variety of moving targets. Without the proper training mimicking realistic scenarios, your marksmanship skill will let you down when you need it most. AccuShoot LFX brings a superb level of dynamism to your training regimen without the need for expensive simulators.



ACCUSHOOT

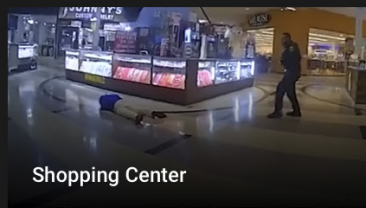
U.S. ARMY

A user-friendly dashboard to select from a growing number of drills, games, and real-world scenarios

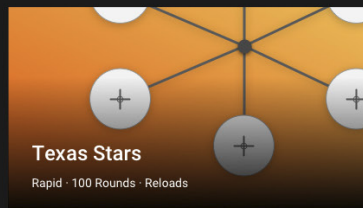
US Army Pistol

All strings are shot from 25 m

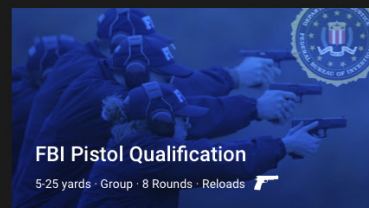
MOST USED



Shopping Center

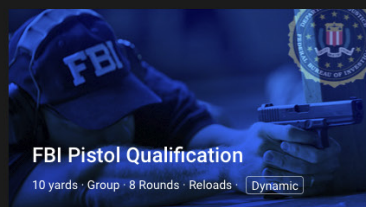


Texas Stars
Rapid · 100 Rounds · Reloads

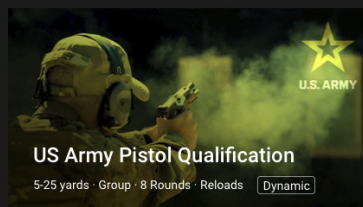


FBI Pistol Qualification
5-25 yards · Group · 8 Rounds · Reloads

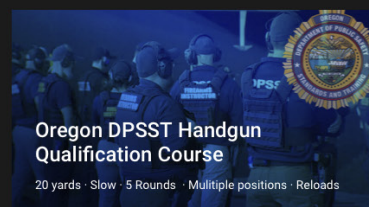
QUALS



FBI Pistol Qualification
10 yards · Group · 8 Rounds · Reloads · Dynamic

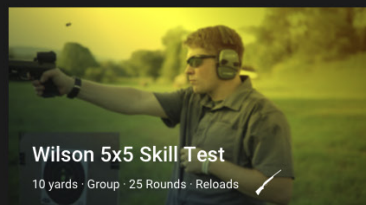


US Army Pistol Qualification
5-25 yards · Group · 8 Rounds · Reloads · Dynamic



Oregon DPSST Handgun Qualification Course
20 yards · Slow · 5 Rounds · Multiple positions · Reloads

SKILL TESTS



Wilson 5x5 Skill Test
10 yards · Group · 25 Rounds · Reloads

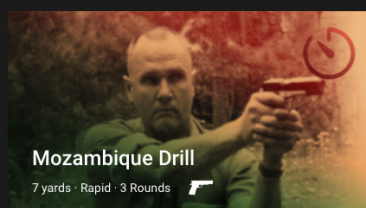


Rangemaster Handgun Core Skill Test
20 yards · Slow · 5 Rounds · Multiple positions

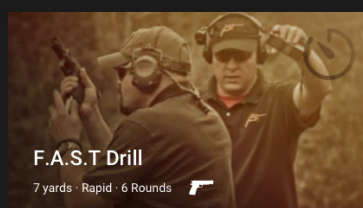


Justin Dyal's 5-Yard Roundup
5 yards · Rapid · 10 Rounds · Reloads · Dynamic

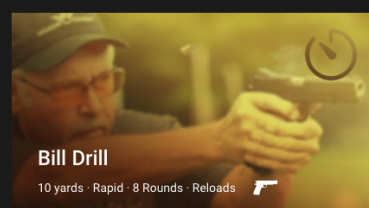
POPULAR DRILLS



Mozambique Drill
7 yards · Rapid · 3 Rounds



F.A.S.T Drill
7 yards · Rapid · 6 Rounds



Bill Drill
10 yards · Rapid · 8 Rounds · Reloads



Oregon Indoor Shooting Range

Experience the next level of marksmanship training with the AccuShoot Live-Fire Experience LFX System, designed to revolutionize your shooting practice with dynamic and static target projections. This comprehensive system includes the AccuShoot LFX Stand, Screen, and Box, each meticulously crafted to support real firearms and ammunition.

Offering a variety of drills and shooting scenarios, including military exercises, FBI qualifications, and realistic shooting games, the AccuShoot LFX System provides a versatile and immersive training experience. With a stable and collapsible design, it is perfect for both indoor and outdoor use.

ACCUSHOOT LFX STAND AND SCREEN

STABLE

The stand remains stable even if bullets pass through the screen.

WIND RESISTANT

Resists movements caused by the wind outdoors.

COLLAPSIBLE

For easy transport and setup.

MODULAR PANELS

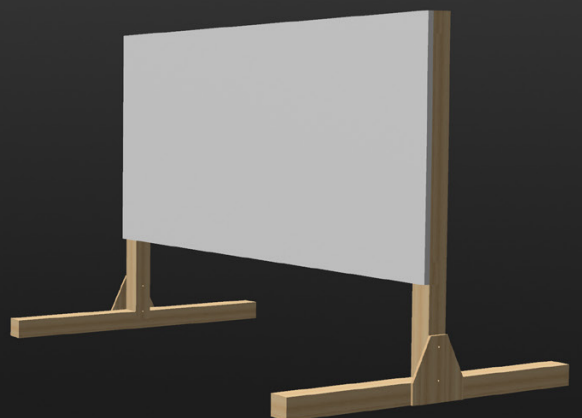
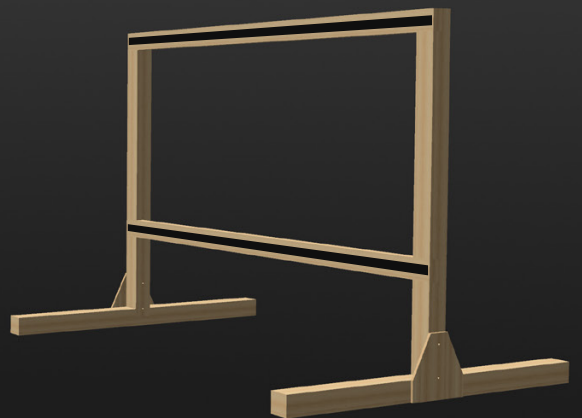
The screen is divided into three modular panels for easy transportation and assembly.

DURABLE MATERIALS

Features a ballistic rubber facing material laminated to a rigid backing board. The facing material provides excellent thermal characteristics, clearly showing impacts in thermal video while dissipating heat quickly to avoid thermal saturation. Additionally, it has self-healing properties, closing around bullet holes. The rigid backing board ensures stability and allows bullets to pass through cleanly without material blowout at exit sites.

EASY ASSEMBLY

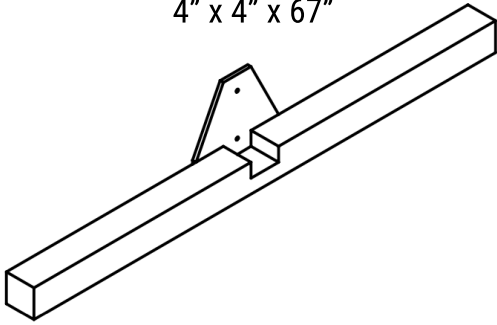
The panels are attached to the stand using velcro, making setup quick and straightforward.



Screen and Stand Components

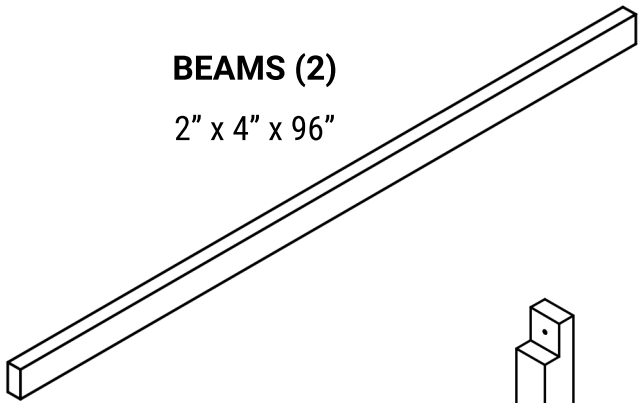
BASES (2)

4" x 4" x 67"



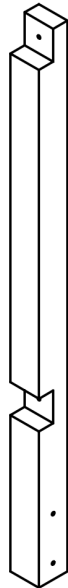
BEAMS (2)

2" x 4" x 96"



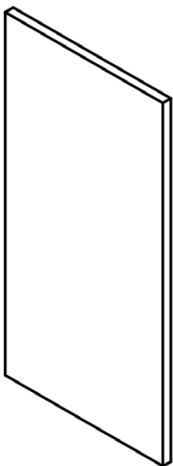
POSTS (2)

4" x 4" x 67"

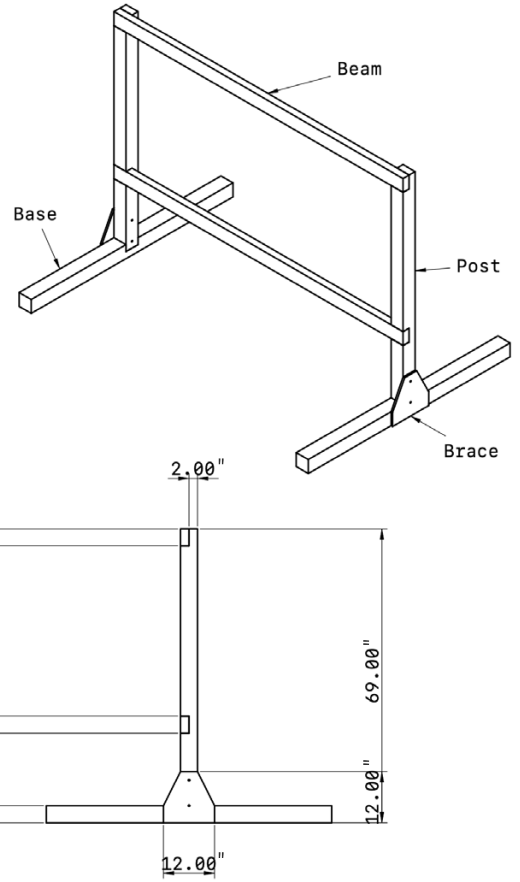
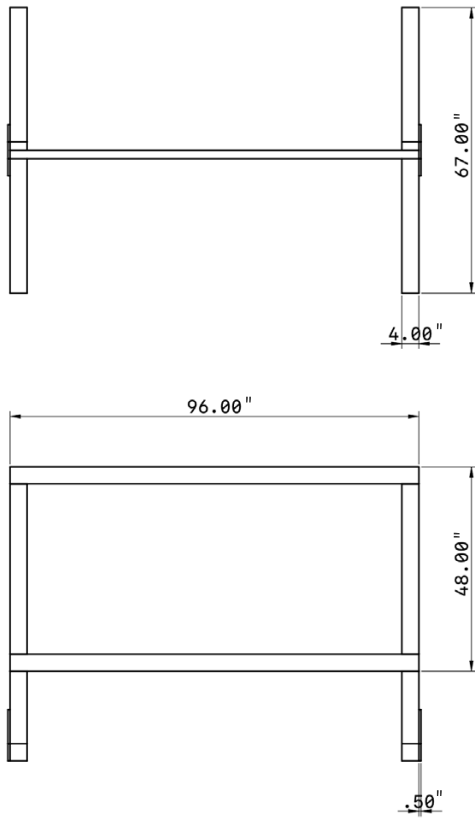


SCREEN PANELS (4)

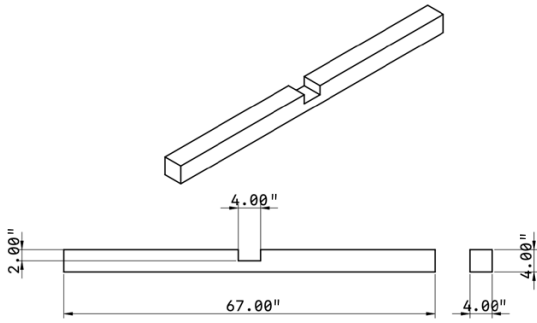
24" x 1.2" x 48"



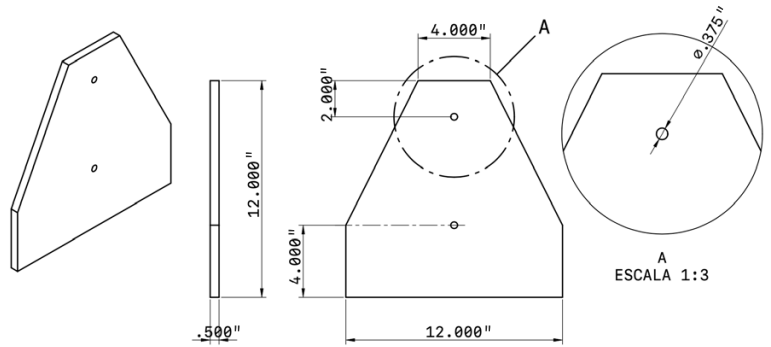
Technical Drawings



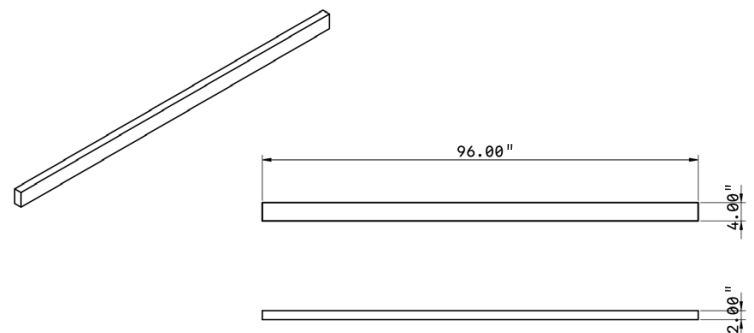
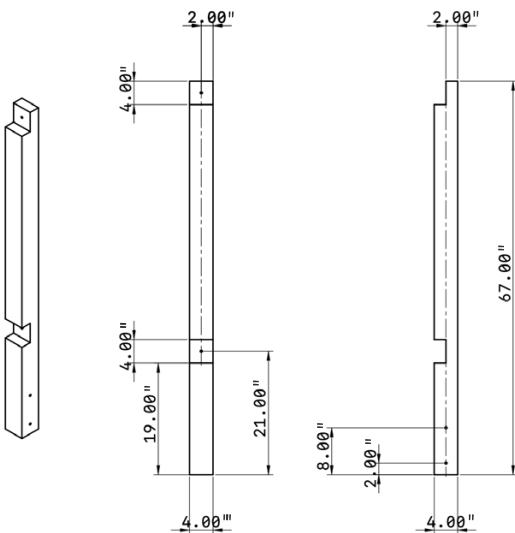
Base



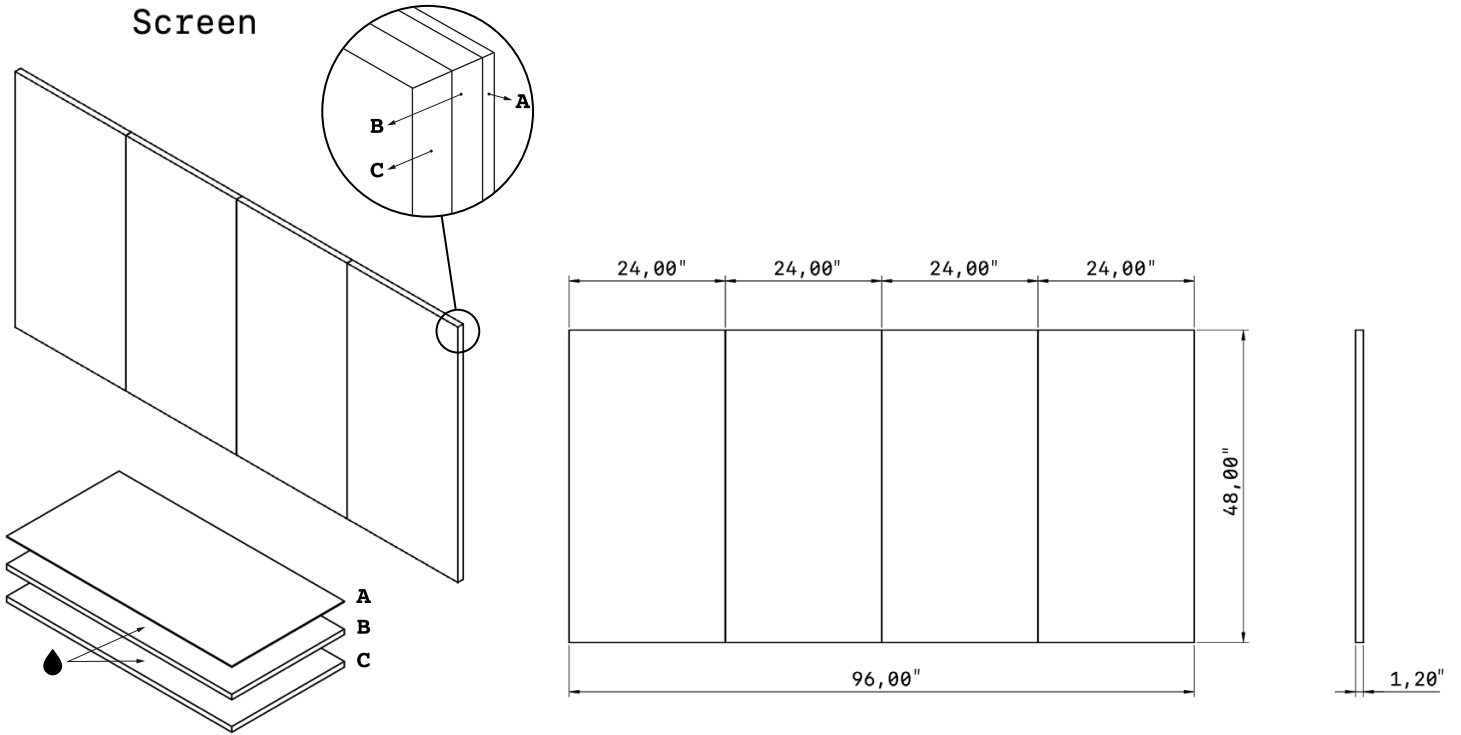
Brace



Pos



Screen



Screen Materials

A. 4'x 8'- 4mm coroplast

B. 4'x 8'- 1" NGX F-150 Rigid Foam

C. 8'x 8.5'- 27mil White PVC RV Roofing

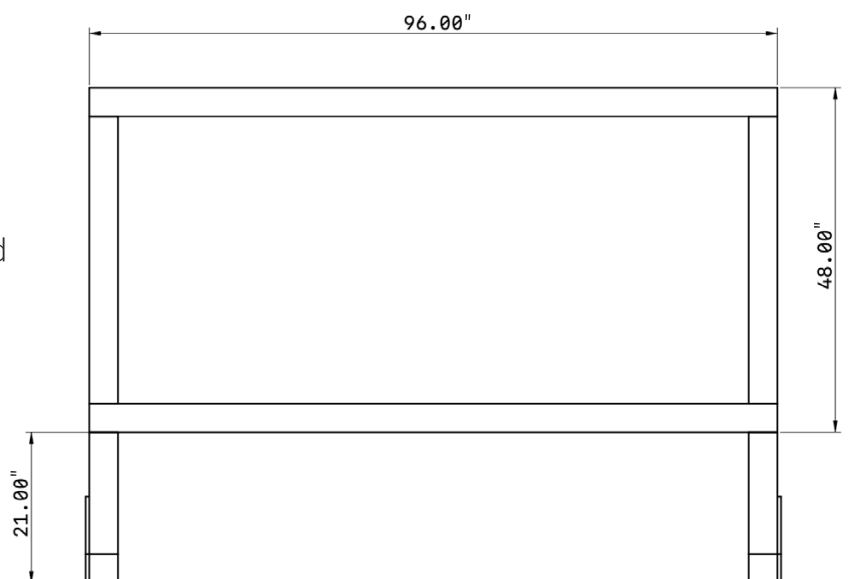
● 3M Super 77 spray adhesive. It is important that B is glued "smooth side" to C

Optimal Dimensions of Stand

Key measures ensuring stability:

- Screen Frame: 48" H x 96" W (outside dimension).
- Frame Height: 21" above ground level.

Construction can be modified provided that optimal dimensions are maintained.



Post-to-Base Connections



1
Knotched Posts
accept posts.



2
Plywood Braces are
screwed to bases.



3
Bolts Connection
connect braces to
threaded inserts in
posts.



4
**Assembled Posts and
Bases**

Post-to-Beam Connections



5
Knotched Posts
accept beams (lap
joints).



6
Bolts Connections
connect posts to
beams.



7
Rear Bolts enter from
the rear and connect
to threaded inserts in
beams.



8
Assembled Stand
is ready for screen
mounting with male
(non-fuzzy)
hook-and-loop tape on
top and bottom beams.

ACCUSHOOT LFX BOX

COMPACT SIZE

Designed to be compact for easy storage and handling without compromising functionality.

PORTABLE DESIGN

Features a telescopic handle and wheels for easy transport, allowing you to move the box effortlessly to different locations.

ADJUSTABLE FEET

Includes adjustable legs to ensure precise alignment of the projected image, accommodating various setups and surfaces.

QUICK SETUP

Gets up and running in minutes in a new location.



Box Components

1. PROJECTOR

Projects high-resolution images and videos for training scenarios.



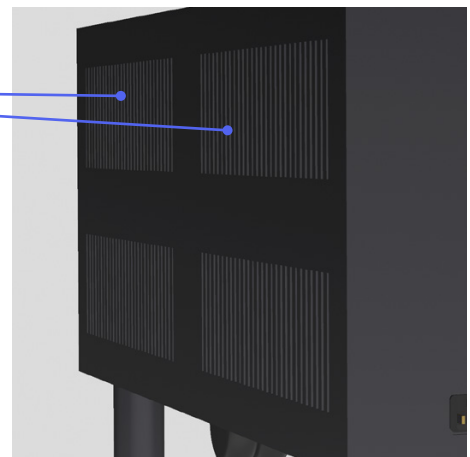
2. THERMAL CAMERA

Detects impacts on the screen with high accuracy.



3. MINI COMPUTER

Connects with the server and projector to manage and run various drills and scenarios.

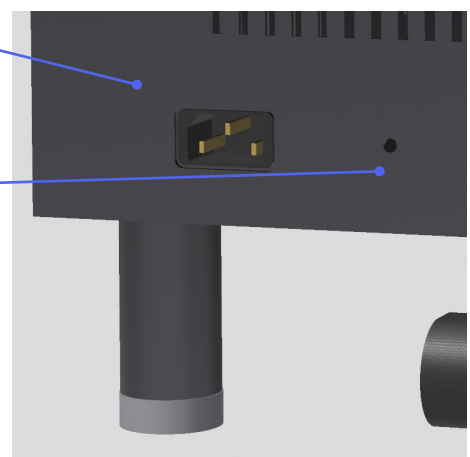


4. COOLING SYSTEM

Equipped with fans to keep the internal electronics cool and functioning optimally.

5. POWER SUPPLY

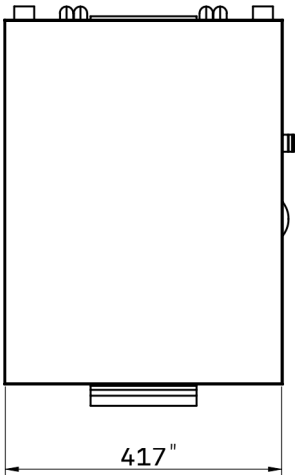
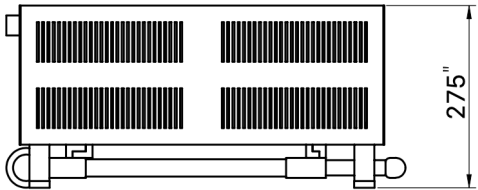
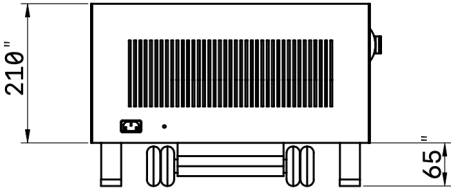
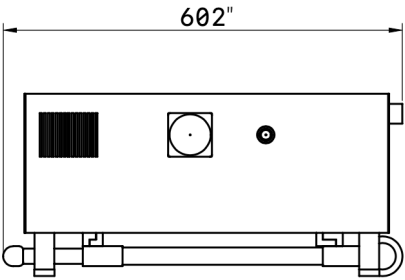
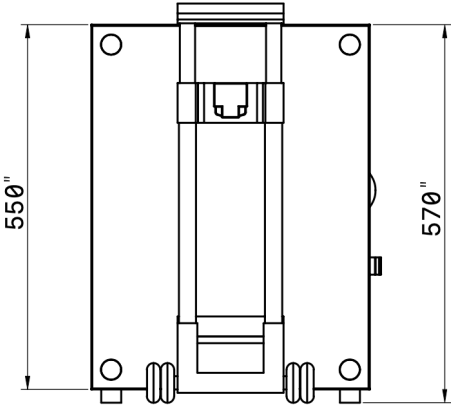
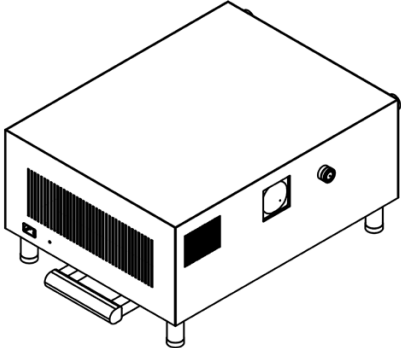
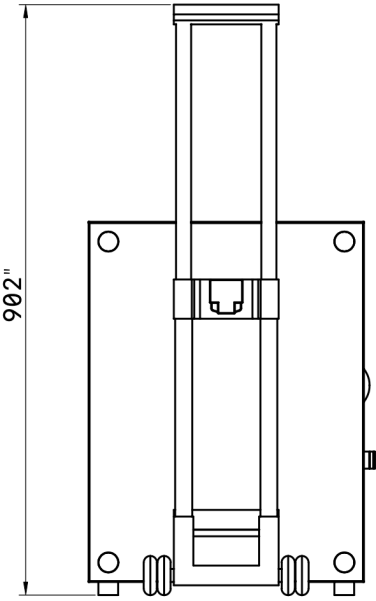
Provides reliable power to all internal components.



6. AUDIO OUTPUT

Connects to headphones or external speakers for enhanced audio feedback.

Technical Drawings



ACCUSHOOT LFX SYSTEM OVERVIEW

DISTANCES

Shooter to Screen: 6 yards

Cinema Box to Screen: 5 yards

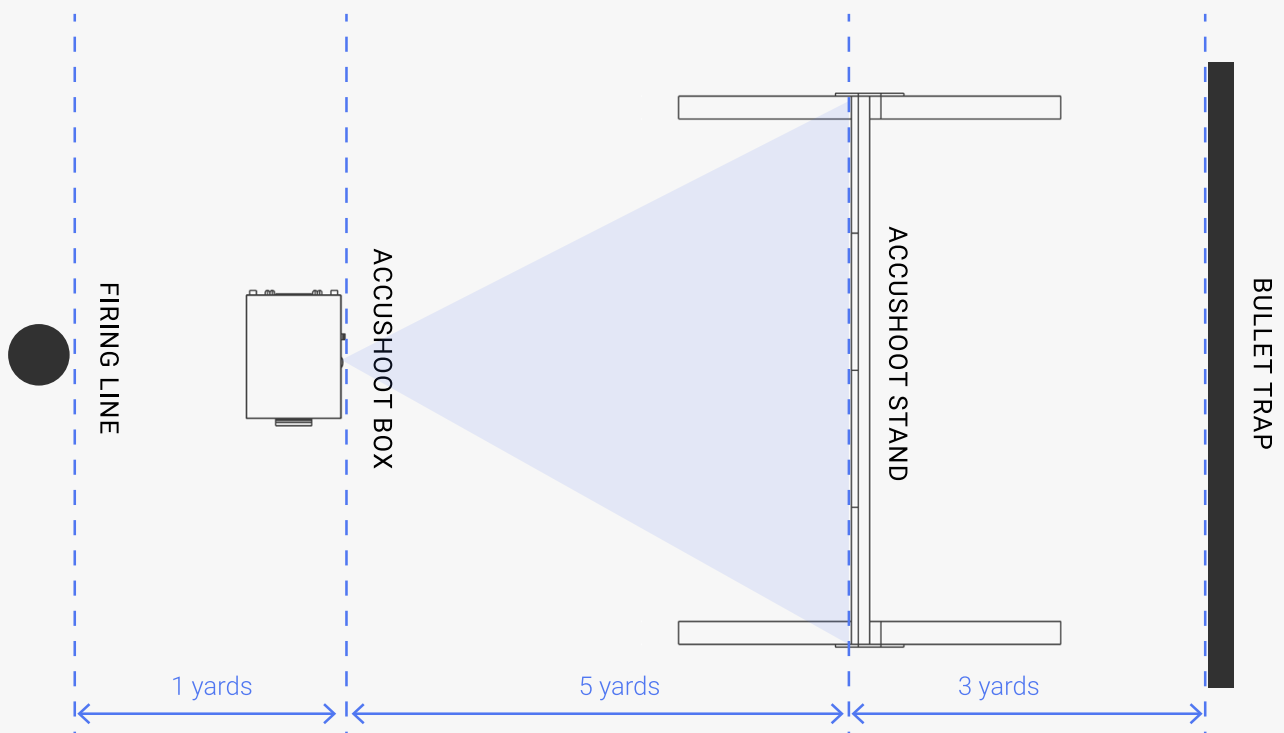
Bullet Trap to Screen: 3 yards

SETUP AND PLACEMENT

Stand Placement: Ensure stability and proper alignment with the screen.

Screen Positioning: Properly align the three panels to form a uniform surface.

Cinema Box Placement: Position the AccuShoot LFX box at an optimal distance to avoid interference and ensure proper projection and detection.

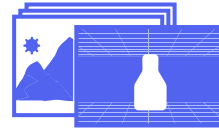


WHAT MAKES ACCUSHOOT LFX UNIQUE?



REAL GUNS

From Colt Peacemaker .22 to Sig Spear .308 Battle Rifle, all calibers are detected according to the specs of your particular range. No more toy guns that fail to deliver real shooting experiences.



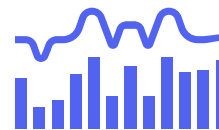
LIMITLESS SCENARIOS

Dynamic shooting games with targets that move at different speeds, simulated scenarios with increasing levels of difficulty that match the requirements of any desired qualification, and the groundbreaking Dynamic Target Qualification.



AUTOMATED QUALIFICATIONS

Automate and record firearms training and qualifications of your law enforcement agency achieving a new level of transparency.



ADVANCED ANALYTICS

Provide your shooters with personalized feedback through analytics to help them understand what skills they need to practice and in what order.



BUILT-IN PROGRAMMABILITY

Instructors can customize existing drills and seamlessly integrate new ones so their shooters can navigate the best fitting courses and experience the latest techniques.



FUN & ENGAGING

Create a leaderboard for each drill to find out who is best in your range, city, state, or in the nation. Organize your own competitions to drive more business.

GET IN TOUCH

Contact us at info@accushoot.com to meet the AccuShoot team and find more.



2851 NW 9th, Suite D
Corvallis, OR 97330, US
(866) 916-4218